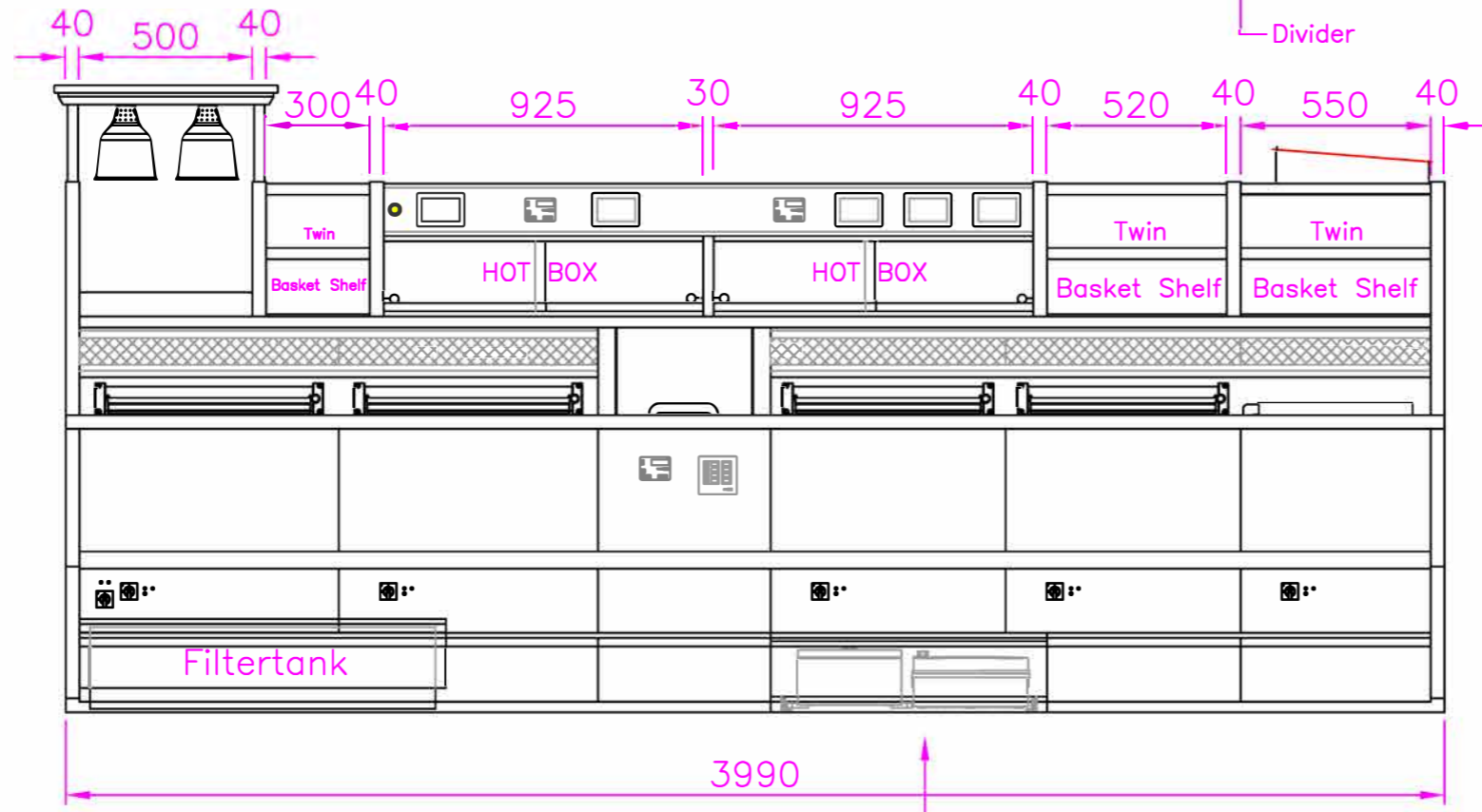
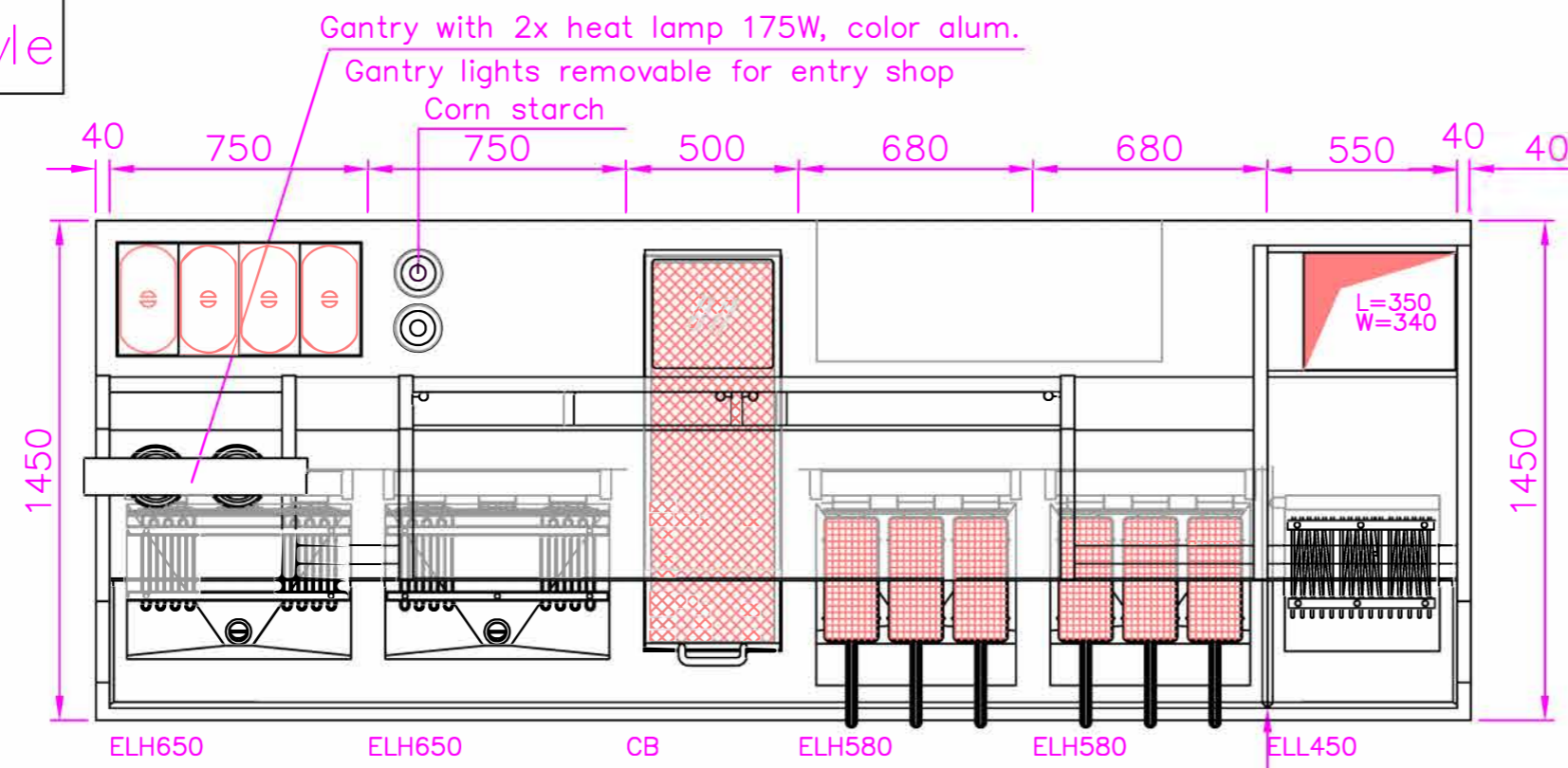
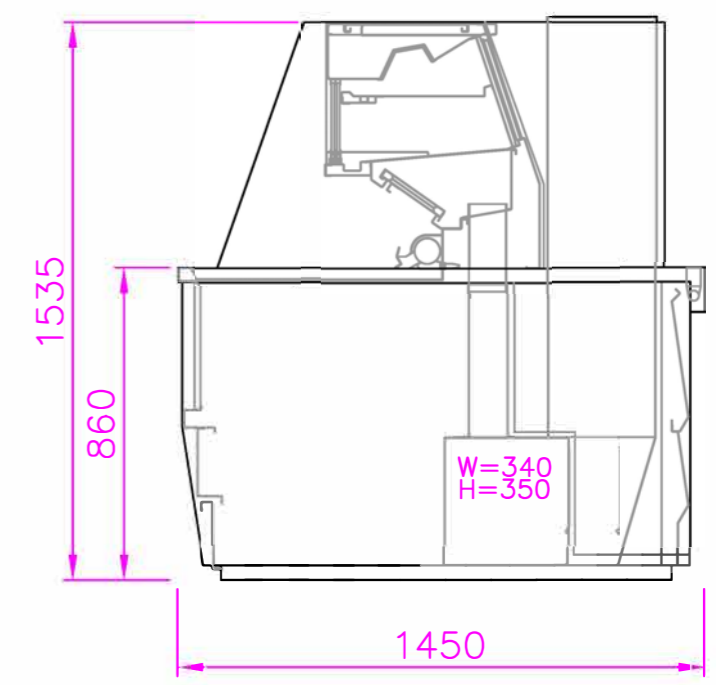


# ETO New Style



All products of Qbtec are provided with a grounding point.  
**Electrical information of range:**  
 0 circuit breaker(s) of 230 V  
 0 circuit breaker(s) of 400 V 16A  
 0 circuit breaker(s) of 400 V 32A  
 0 circuit breaker(s) of 400 V 63A  
 0 separate cable(s) of 400 V  
**Other specifications:**  
 Energy : Electric  
 Position electric boxes : Inside  
 Position gas connection : -  
 Position extraction : Customer side  
 Position waste oil drain : Fryer side

Island range Jubilee



Sump under duct through top

- Including tripple premier filtration system
- Fry control
- Cup holders as close to BM as possible
- Downlight color: Blue
- Min 10 meters of cable on each pan

Electric boxes

Code	Description	Voltage	P elek/kW	P Gas/kW
ELH650	Fish-pan 650x450	400V	17.00	
ELH650	Fish-pan 650x450	400V	17.00	
CB	Chipbox	230V	2.20	
ELH580	Frying-pan 580x450, 3 baskets	400V	25.50	
ELH580	Frying-pan 580x450, 3 baskets	400V	25.50	
ELL450	Fish-pan 450x450	400V	13.50	
BM 1/1	Bain Marie 1/1 GN	230V	2.00	
	Cabinets	230V	1.80	
	Range	230V	2.50	
	<b>Total</b>		<b>107.00</b>	

Copyright reserved in accordance with the law  
 Drawing is not to scale and can be subject to change  
 Atm. proj. 5mm

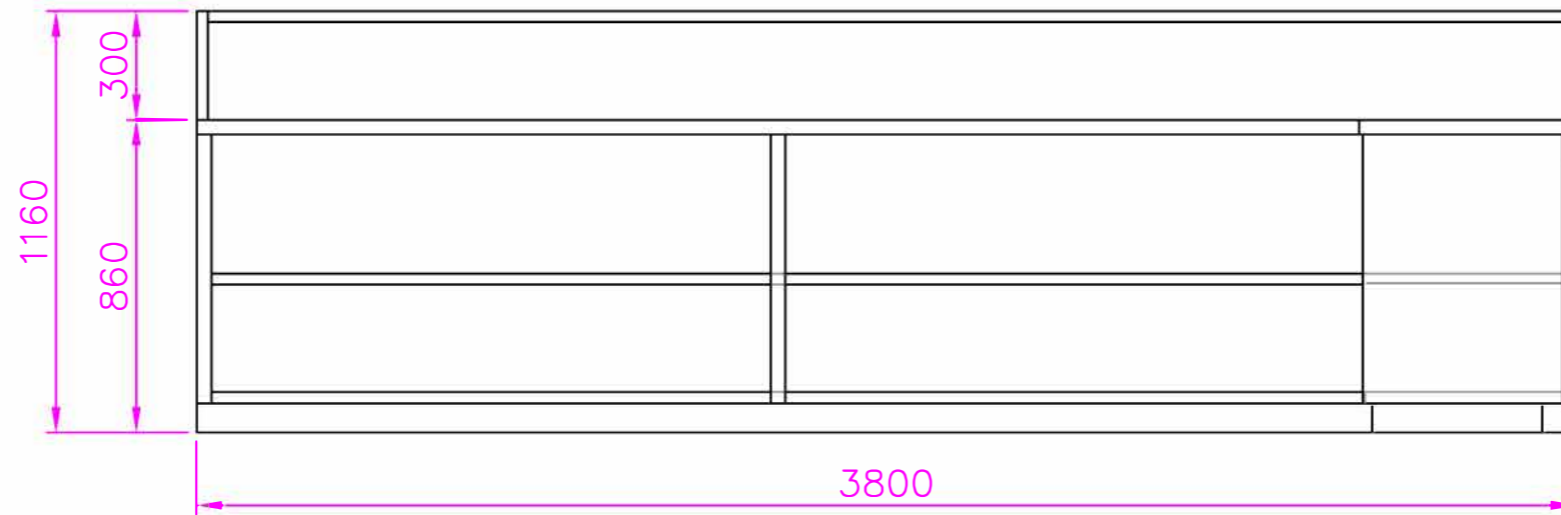
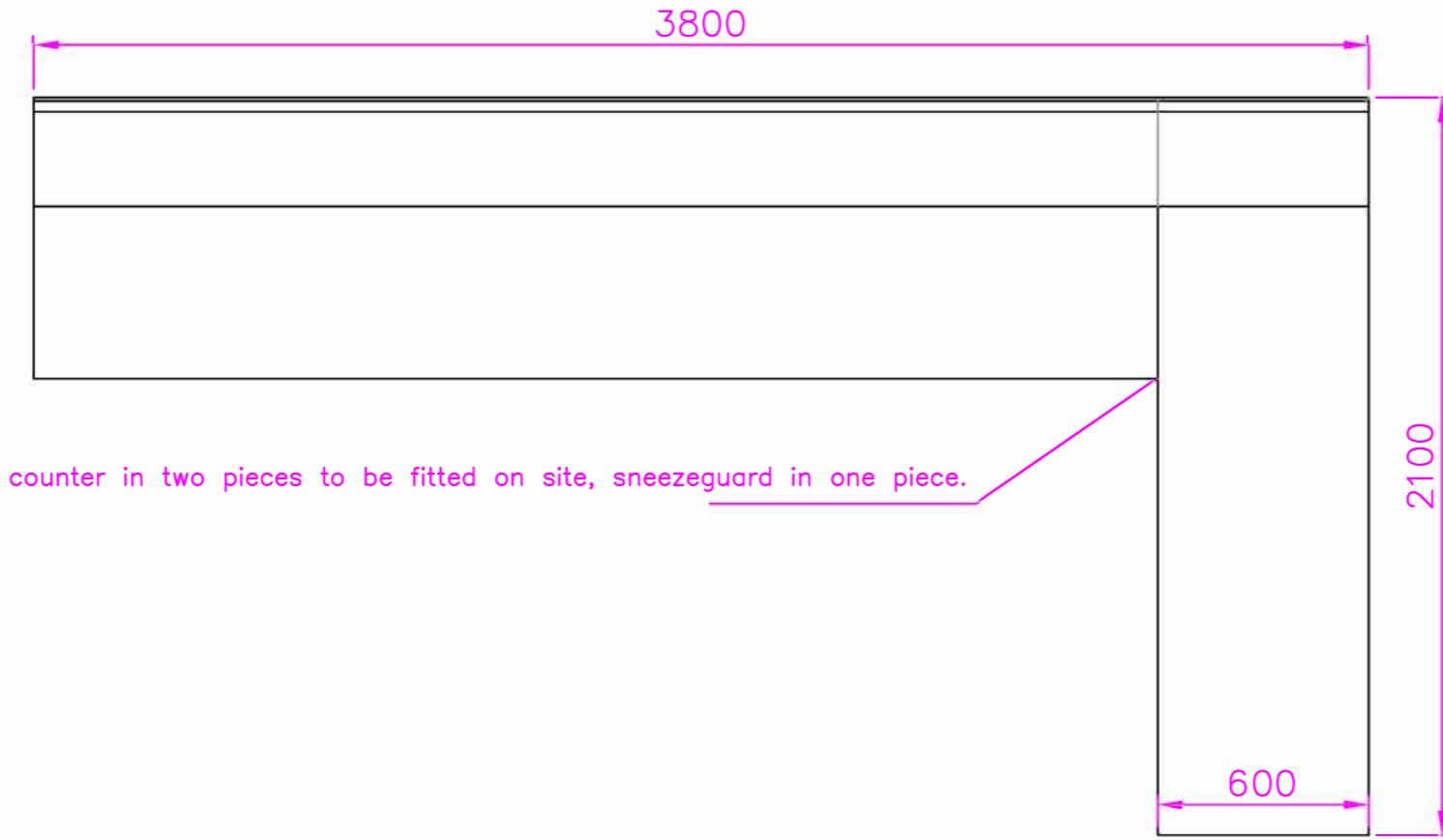
Customer: \_\_\_\_\_ City: \_\_\_\_\_ Agent: KFE

Drawing no.: 2108-37198 A  
 Salesman: \_\_\_\_\_  
 Date: 07-12-2021  
 Drawn by: OS / BvdW / OS

**KIREMKO**

QBTEC  
 Middellandse Zee 9  
 3446 CG, Woerden  
 The Netherlands  
 Tel: +31 (0)348-475555  
 Fax: +31 (0)348-418495  
 www.qbtec.nl

Approval: \_\_\_\_\_



Copyright reserved in accordance with the law Drawing is not to scale and can be subject to change	Customer:		City:		Agent: KFE	
	Atm Toi: 5mm	Drawing no.: 2108-37198 B		<b>KIREMKO</b>	QBTEC Middellandse Zee 9 3446 CG, Woerden The Netherlands Tel: +31 (0)348-475555 Fax: +31 (0)348-418495 www.qbtec.nl	
		Salesman: 07-12-2021				Approval:
		Drawn by: OS / BvdW / OS				